

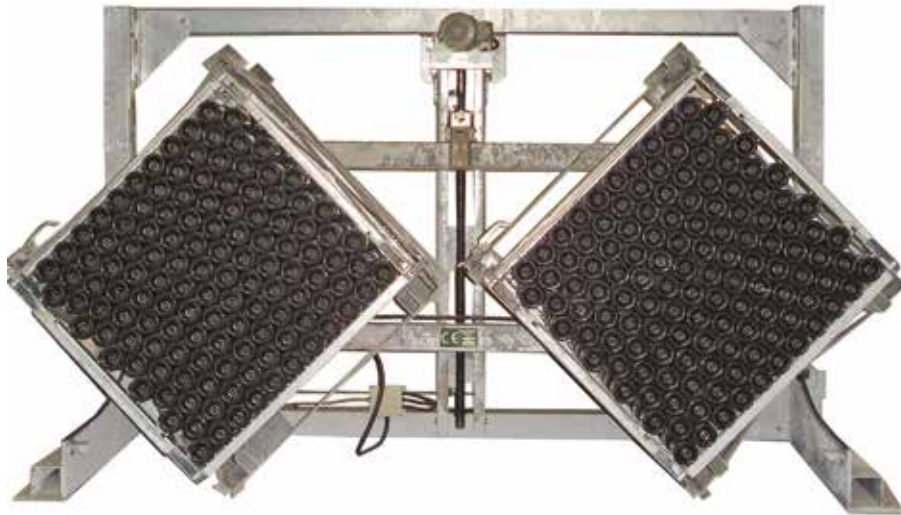


œno concept
Epernay - Champagne - France



WINE-MAKING PROCESS DESIGNER & INTEGRATOR

Gyropalette® Double Cage

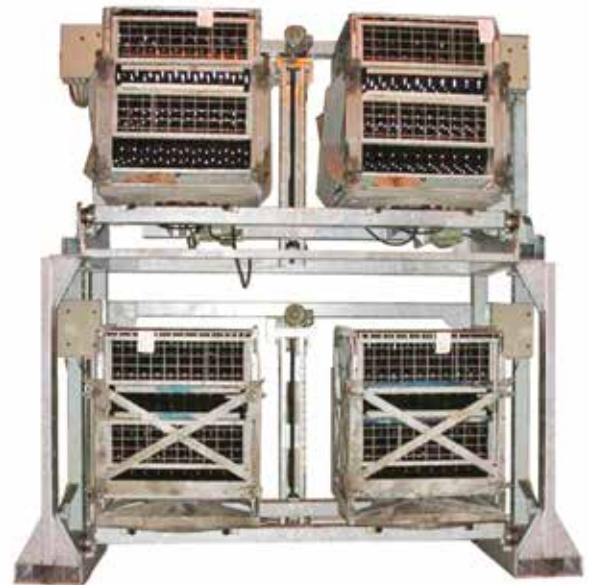


Superimposable !

Gyropalette® range :
The world reference
of automated riddling

Superimposable - Stable - Solid - Reliable
Made in France

Riddling capacity
up to 75,000
bottles / year



Gyropalette®
Double Cage

Optional
Extra :
Vibration
function



RIDDLING



STORAGE



WINEPRESS



WINERY

Gyropalette® Double Cage

Superimposable, optimising available space
up to 3 levels in height.
Riddling capacity up to 75,000 bottles / year.



SOLID

Frame and cages made of hot galvanised steel. Hot galvanisation, high quality of the electrical and mechanical components, optimum resistance to cellar humidity and limited maintenance.

PRODUCTIVE

1 cradle with 2 independently rotating cages (per 1/16 turn).
Cages mounted on a large diameter, ball bearing supported, orientation crown rotated by two sealed electric gear motors.
Number of riddled bottles per cycle : 1 008 champagne-type bottles.

PRECISION

Inclining to a precise degree by a very robust, screw-nut motorised system common to the cradles which are linked by small rods.

UPGRADEABLE

Possibility of superimposing and placing side by side several DOUBLE CAGE without any loss of space.

LOW CONSUMPTION OF THE MOTORS

Very good mechanical efficiency of the rotating and inclining movements.
220 / 380 VAC three-phase power supply. Rotation : 2 x 0.37kW motors.
Inclination : 0.37 kW.

Strong points

Compact device due to its special frame : small overall width of 3.4 m, this **optimises the cellar length.**

Possible layout : in-line, in opposition, juxtaposition, in superposition (over 2/3).

Multi-purpose : compatible with all TSR® riddling containers and crates.



Control

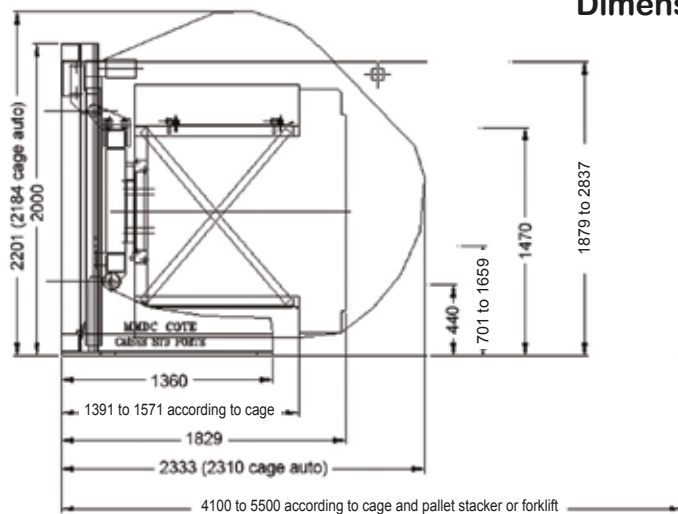
Easy creation of riddling programs from your PC with **Gyprog®** software. Transfer to the programmable logic controller via a USB dongle.

SINGLE UNIT CONTROL : 9 storable riddling programs. Only one device controlled.

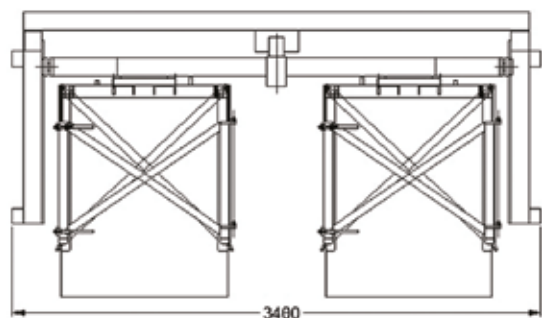
EXTENDED CONTROL : control one DOUBLE CAGE up to a series of 8 devices according to the configuration :

- user-friendly, fully programmable.
- stores up to 9 different riddling programs.
- complete display of the operations : movements and time countdown.
- easy future connection to the extended control of other DOUBLE CAGES in extension.

Dimensions



Top view



Loading/unloading by forklift with a minimum 1 200 kg capacity or by a pallet stacker.

S.A.S. OENO CONCEPT - Tél. (33) 03 26 51 14 00 - commercial@oenoconcept.com
1, rue de la Noue St Nicolas - CS 90353 Mardeuil - 51334 Epernay Cedex - FRANCE

www.oenoconcept.com