



# œno concept

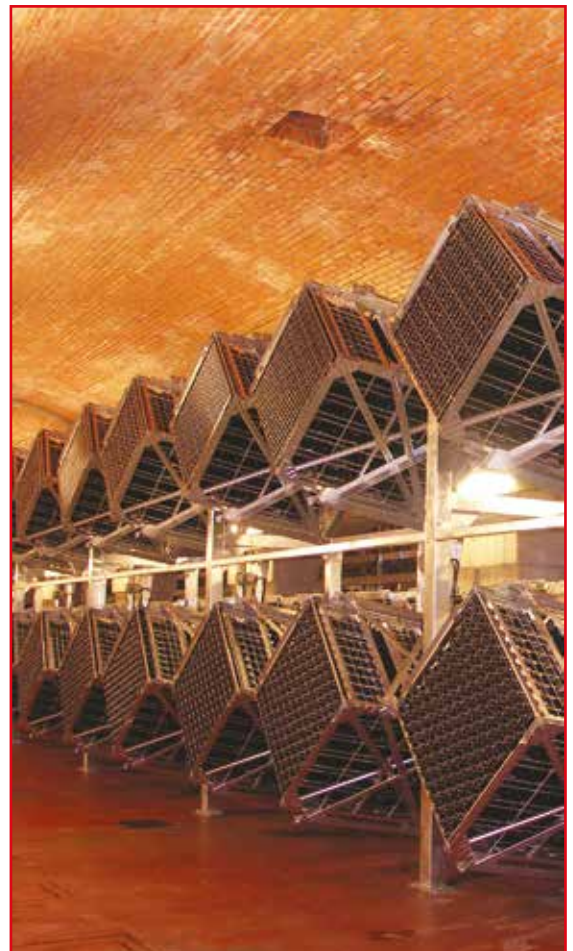
Epernay - Champagne - France



WINE-MAKING PROCESS DESIGNER & INTEGRATOR



# Gyropalette® Quadra



Gyropalette® range :  
The world reference  
of automated riddling

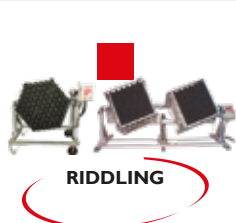
4 cages - 2 levels - Only one device  
Made in France

Riddling capacity  
up to 150,000  
bottles / year



Gyropalette®  
QUADRA

Optional  
Extra :  
vibration  
function



RIDDLING



STORAGE



WINEPRESS



WINERY

# Gyropalette® QUADRA

Economic, efficient and solid.  
Ideal for productions up to 150,000 bottles/year.



## ROBUST

Frame and cages made of hot galvanised steel.  
Hot galvanisation, electrical and mechanical components of high quality, optimum resistance to cellar humidity and limited maintenance.

## PRECISION

Inclining to a precise degree by a very robust, screw-nut motorised system common to the cradles which are linked by rods.

## PRODUCTIVE

2 cradles with 2 independently rotating cages (per 1/16 turn).  
4 cages mounted on 4 large diameter, ball bearing supported, orientation crowns rotated by 4 sealed electric gear motors.  
Number of riddled bottles per cycle : 2,016 champagne-type bottles.

## UPGRADEABLE

Possibility of placing side by side several QUADRAs by using a common side without any loss of space.

## LOW CONSUMPTION OF THE MOTORS

220 / 380 VAC three-phase power supply. Rotation : 4 x 0.37kW motors. Inclination : 0.37 kW.



## Strong points

**Compatible** with most riddling cages and crates.

**Possible layout** : in-line, in opposition or juxtaposition.

**Transformable** into SEXTRA by adding a third level.

The **cradles** are **articulated** at the ends **without a central support**.



## Control

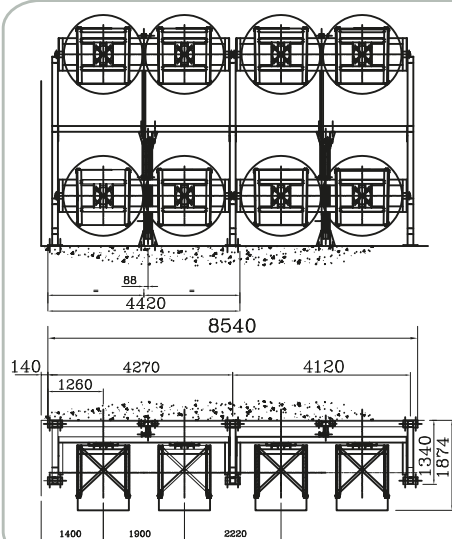
Easy creation of riddling programs from your PC with **Gyroprog®** software. Transfer to the unit control via a USB dongle.

**SINGLE UNIT CONTROL** : 9 storable riddling programs. Only one device controlled.

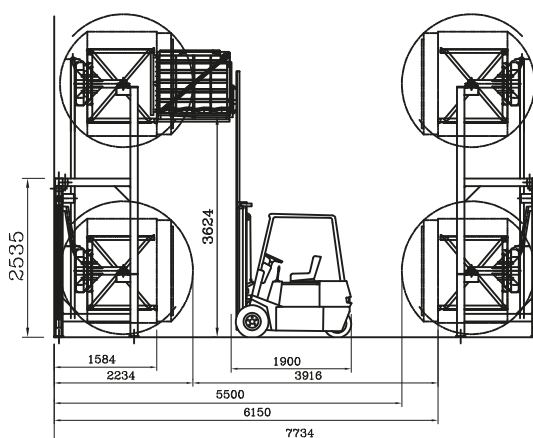
**EXTENDED CONTROL** : controls one QUADRA up to a series of 8 devices according to the configuration :

- user-friendly, fully programmable.
- stores up to 9 different riddling programs.
- complete display of the operations : movements and time countdown.
- easy future connection to the unit control of other QUADRAs in extension.

## Dimensions



Loading/unloading by forklift  
with a minimum 1 600 kg capacity.



door cage in level 1 and open cage in level 2  
door cage in level 1 and automatic cage in level 2

DEVICE	door cage in level 1 and open cage in level 2	door cage in level 1 and automatic cage in level 2
Height	3874	3830
Width	4020	4020
Depth	1340	1340
Depth with cage	1584	1524
Depth with crate	1882	1782
RIDDLING		
Height	4400	4400
Depth	2200	2200
HANDLING		
Loading height	2800	2800
Loading height + crate	3791	3971
Unloading height	2950	3709
Unloading height + crate	4300	5200
LAYOUT		
Aisle width	5500	5500

S.A.S. OENO CONCEPT - Tél. (33) 03 26 51 14 00 - commercial@oenoconcept.com  
1, rue de la Noue St Nicolas - CS 90353 Mardeuil - 51334 Epernay Cedex - FRANCE

[www.oenoconcept.com](http://www.oenoconcept.com)